



- ✓ Stainless steel 304 grade body
- ✓ Bi-directional control
- ✓ Strong ergonomic Design
- ✓ Continuous service and spare parts support
- ✓ Compatible with all access control systems

TECHNICAL DATA

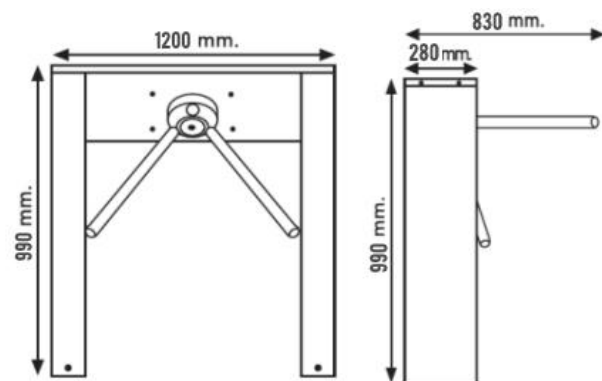
Framework Material	Stainless steel 304 grade body
Emergency	Automatic arm drop when power off
CONTROL /OPERATION VOLTAGE	24VDC +/-20
POWER CONSUMPTION	20W
PASSING BLOCK	With controlled turning tripod arms positioned with 120 degrees
TRIPOD LOCKING	With 12 V DC solenoids; locks when the solenoids are pulled. (In Emergency, system is shut down and turnstiles provide free passing in both directions.)
PASSING DIRECTION CONTROL	Free bi-directional entry-exit control
TRIPOD POSITION DIRECTION	Direction of the tripod position with micro-switches.
MOTION CONTROL	When the cycle starts to one direction, the reverse is blocked and after a half turn the rest of the cycle is completed, automatically by secutech unique returning mechanism.
INSTALLATION	Simple & easy installation with a special pedestal.
OPERATION TEMPERATURE	- 20° C - + 70° C
INDICATORS	One light indicator on both directions.
DIMENSIONS	1200 * 280 * 990mm
WEIGHT	55 kg
OPTIONAL ACCESSORIES	Remote control, button unit.

OVERVIEW

- ✓ Tripod turnstiles TURNO200 are compact and cost-effective entrance solutions.
- ✓ The body is made of brushed stainless steel which is robust, rigid, anti-rust and durable.
- ✓ Tripod turnstiles TURNO200 is ideal for both indoor and outdoor settings.
- ✓ It can be integrated with any kind of access controller system (e.g.: RFID device, Push button, Fingerprint and Biometric device).
- ✓ In case of emergency, the turnstile horizontal arm will drop down to allow free passage when power off.
- ✓ Tripod turnstiles TURNO200 is suitable for areas with high traffic.

FEATURES

- ✓ Long-life performance, high operation dependability and fast response.
- ✓ The whole system runs smoothly, low noise, no mechanical impact.
- ✓ Self-test function, when power on, system restoration automatic.
- ✓ Single directional or Bi-directional is selectable.
- ✓ LED indicator.
- ✓ Automatic reset function: when tripod turnstile receives an open single, but passenger do not pass through the hallway within a specific time (default 5s), turnstile arm will lock automatically. When power off, tripod turnstile arms will drop down automatically, which is complying with fire safety requirements.



TURNO200 : Single Tripod
TURNO200D : Double Tripod

- scheda di controllo o telecomando incorporata di serie
- modelli per applicazione interna ed esterna (sotto copertura)
- modelli con bracci barriera antipánico
- alta velocità di trasmissione
- controllo del passaggio bidirezionale
- Indicatori direzionali a LED / indicatori di stato
- tensione di alimentazione di sicurezza 12 - 36V
- controllo di override della chiave per situazioni di emergenza
- meccanismo di rotazione privo di inerzia e scorrevolezza

- built-in control board or remote control unit supplied as standard
- models for indoor and outdoor application (under shelter)
- models with anti-panic barrier arms
- high throughput rate
- bi-directional passage control
- LED directional indication / status lights
- safe supply voltage 12 - 36V
- key override control for emergency situations
- inertia-free and smooth rotation mechanism

- un tableau de commande intégré ou une télécommande fournie en standard
- modèles pour application intérieure et extérieure (sous abri)
- modèles avec bras anti-panique
- débit élevé
- contrôle de passage bidirectionnel
- LED d'indication de direction / voyants d'état
- tension d'alimentation sécurisée 12 - 36V
- commande de neutralisation des clés pour les situations d'urgence
- mécanisme de rotation sans inertie et lisse

- tarjeta de control incorporada o unidad de control remoto suministrada de serie
- Modelos para aplicación interior y exterior (bajo techo).
- Modelos con brazos de barrera antipánico.
- alta tasa de rendimiento
- control de pasaje bidireccional
- Indicadores LED direccionales / luces de estado
- tensión de alimentación segura 12 - 36V
- Control de anulación de teclas para situaciones de emergencia.
- Mecanismo de rotación suave y sin inercia.